

8

7

6

5

4

3

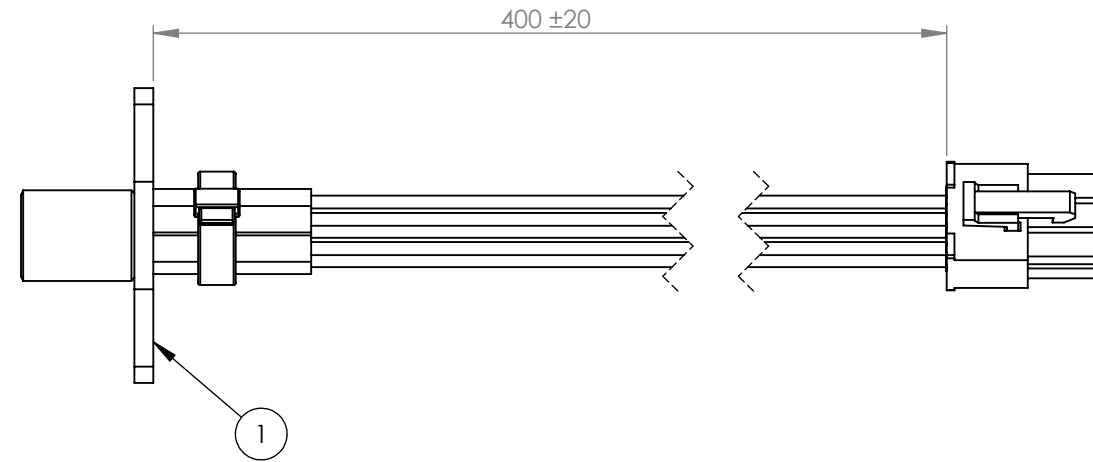
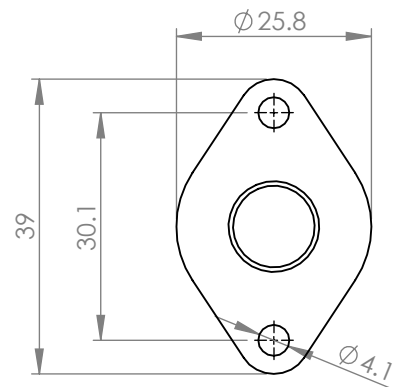
2

1

UNLESS OTHERWISE SPECIFIED
DIMENSIONS ARE IN MILLIMETERS
STANDARD TOLERANCES:

X	X.X	X.XX	
±0.5	±0.2	±0.1	±0.5°

REQUIRED SURFACE FINISH - Ra3.2 (N8) OR BETTER
DEBURR AND BREAK SHARP EDGES
ALL PARTS TO BE CLEAN AND FREE FROM DUST & OIL



DRAFT

ITEM NO.	PART NUMBER	DESCRIPTION	QTY.
1	O2S-FR-T4-5P-387	<p>SENSOR TO BE OF PLATINUM EDGED TYPE WITH 'SECONDARY SEAL' DESIGN</p> <p>OPERATING VOLTAGE: 4.35Vdc 0.1Vdc (1.85A) STANDBY VOLTAGE: 2Vdc (0.85A) PUMP IMPEDENCE AT 700°C: < 6KΩ GAS FLOW RATE: 0-10 m3/s PERMISSIBLE GAS TEMP: -100°C TO +400°C REPETITIVE PERMISSIBLE ACCELERATION: 5g INCIDENTAL PERMISSIBLE ACCELERATION: 30g</p> <p>OUTPUT VALUES OXYGEN PRESSURE RANGE: 2mbar - 3bar MAX. ACCURACY: 5mbar MAX. INTERNAL OPERATION TEMP: 700°C RESPONSE TIME (10-90% STEP): <4 SEC WARM UP TIME (FROM STANDBY): 20 SEC OUTPUT STABILISATION TIM : APPROX. 180 SEC</p> <p>CABLE ASSEMBLY: CONNECTOR: MOLEX 39-01-2060 CRIMPS: MOLEX MINI FIT JNR. 39-00-0038 WIRES: PTFE Type B - 20 AWG</p>	1

CONNECTOR PINOUT	
PIN	COLOUR
1	RED
2	BLACK
3	YELLOW
4	BLUE
5	YELLOW
6	NOT CONNECTED

	CREATED BY: S.McCURRACH	TITLE: O2S-FR-T4-5P W/ 400mm CABLE AND MOLEX CONNECTOR	STATUS: INFORMATION ONLY
	APPROVED BY: UNRELEASED	DRAWING TYPE: ASSEMBLY	REVISION: A
	MATERIAL: SEE PARTS	DRAWING NO. O2S-FR-T4-5P-387	ISSUED ON: 03/03/2021
	SCALE: 1:1		A3 SHEET 1 OF 1

8

7

6

5

4

3

2

1